



NVENIA
A DURAVANT COMPANY

LINEAR WEIGHING MACHINES
Bulk/Additional Models Available

Linear Weighing Machines

Ohlson Linear Weighing & Counting Systems – available in stainless or painted steel – are an ideal solution for automating your highly repetitive, labor-intensive processes. Systems are customizable and typically range from single-lane to eight-lane models.

FEATURES

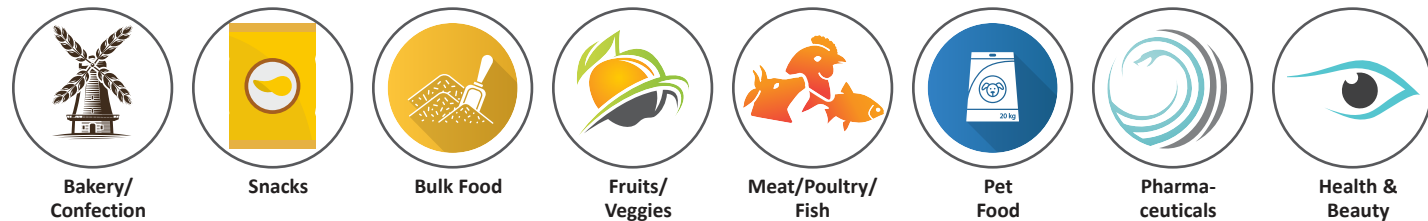
- Automate repetitive processes for major time and labor cost savings
- Rugged build means your investment will last for years/decades
- Fully modular—increase throughput simply by adding more
- Ohlson software for complete upstream/downstream integration with existing or future equipment
- Highly sanitary and easy to clean
- Wide range of customizable specs to suit your product and business needs
- Customizable specifications for weight depending on your product needs



COMMON ACCESSORIES

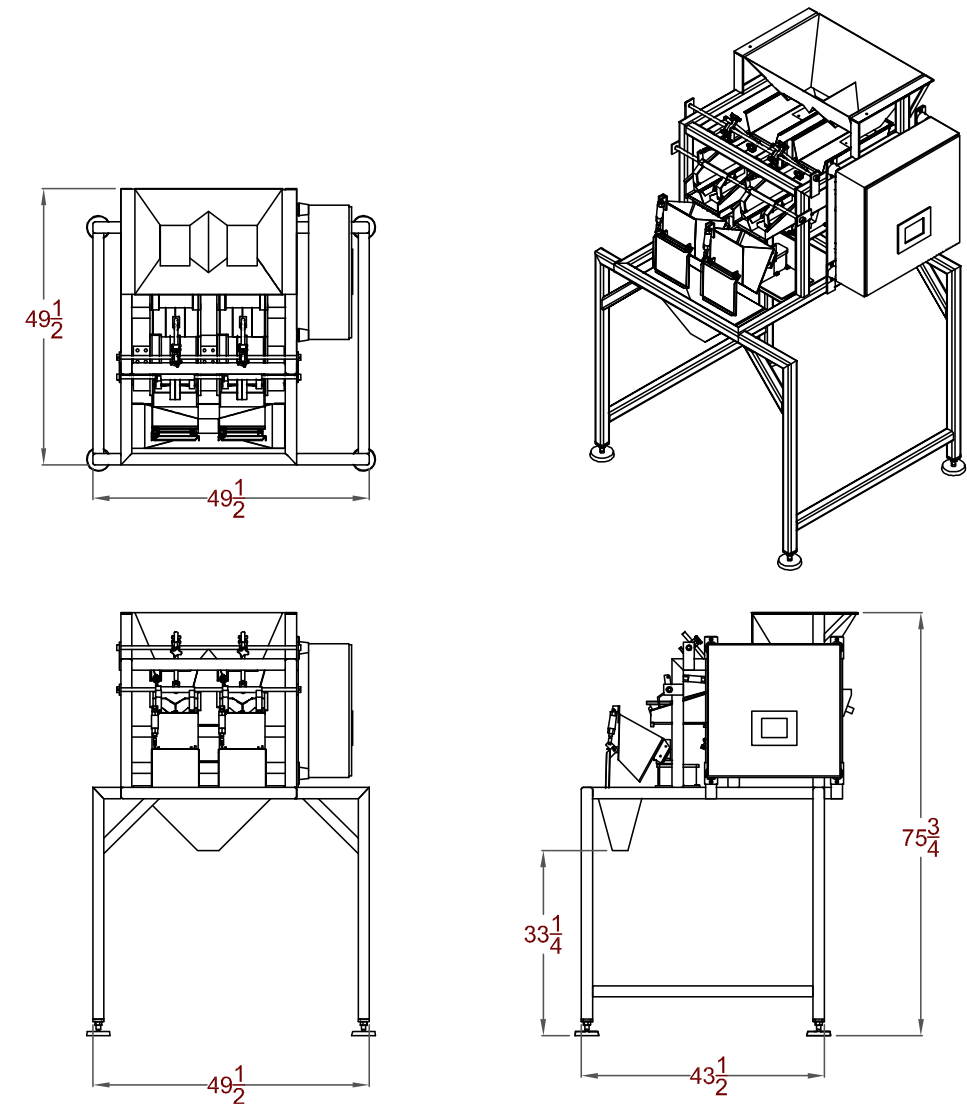
- Pivot Pans
- Bucket elevator
- Supply hopper
- Index conveyor
- Pre-made Pouch machines

INDUSTRIES



Sample Configuration

Linear Model 2M2 Depicted



KEY SPECIFICATIONS

Specs may vary based on specific options and/or additional system requirements

	Standard Specs
Weighing Range	Typically between 1 oz. to 5 lbs.
Max Speed	Approx. 10 weighments/minute (Per Lane)
Load Cell Accuracy	± 0.5 – 1.0 Gram (Product Dependent)
Weigh Hopper Volume	300 cu Inch Standard (Larger Capacities Available)
Supply Hopper Volume	1 Cubic Foot (Additional Hoppers - 5, 10, 15, 20 Cubic Foot - Available)
Power and Air Req.	Variable based on model; Specified on Approval Drawing

Bulk Linear Weigher Models Designed to Reach Target Weights up to 50lbs per drop



NVENIA

750 N. Wood Dale Road
Wood Dale, IL 60191
info@nVenia.com
800.253.5103
www.nVenia.com

SUPPORTPRO

3500 Lacey Road, Suite 290
Downers Grove, IL 60515
support@supportpro.pro
844.777.8776
www.supportpro.pro