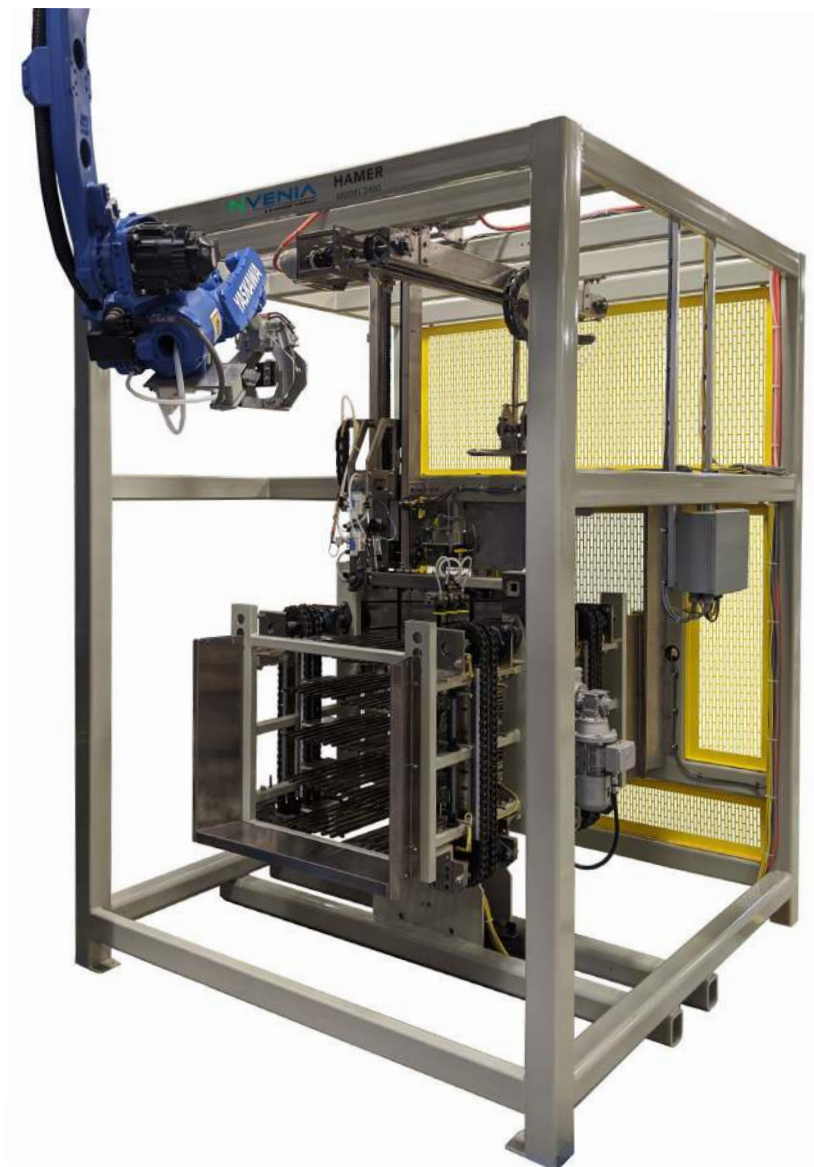


## Robotic Valve Bag Placer

The latest innovation in the Hamer Brand robotic automation family, the 2400 VBP is designed to easily integrate into existing production lines to safely automate the highly repetitive, labor intensive task of placing valve bags onto valve bag fillers.

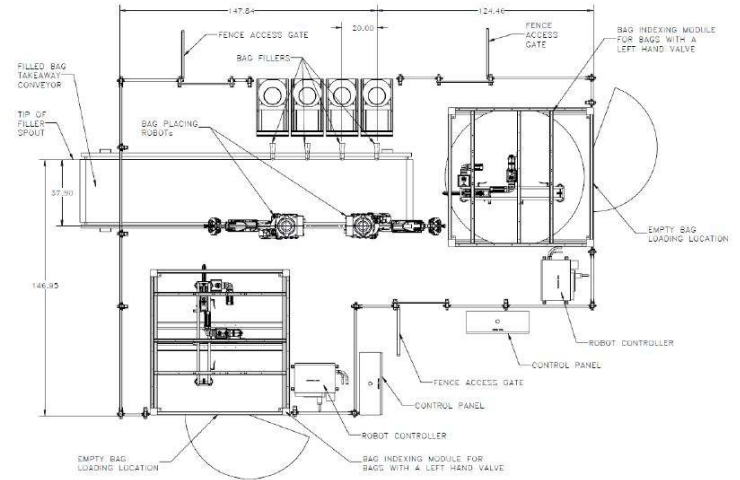
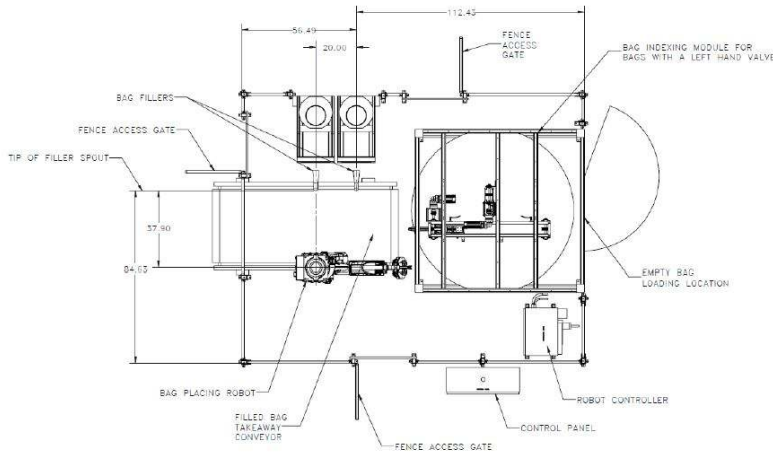
A high capacity, LiveLoad Bag carousel reduces bag loading frequency, and minimizes downtime by allowing the operator to load bags while the machine is still running.

Available in single and dual robot models, for up to four spouts.



### APPLICATIONS

- Building Materials
- Agriculture
- Animal Feed
- Bio Fuels
- Chemicals
- Fertilizer
- Commercial Food Ingredients
- Minerals
- Powder Products



Sample Layouts

## FEATURES

- Yaskawa GP12 6-axis High-Speed inverted robot(s) with Allen Bradley PLC controls consistently places up to 40 bags per minute for dual robot systems (up to 20 bags per minute for single robot systems)
- Hamer manufactured End-of-Arm Tool (EOAT) for robust performance
- High-Capacity bag carousel, live bag loading station, capable of storing up to 800 bags for dual robot systems (up to 400 bags for single robot systems) for minimal bag re-loading frequency
- Allen-Bradley MobileView™ Color, Touch-screen User Interface with extended cable length for operator ease of use
- Hamer Integrated Operator Program simplifies programming and daily operator interactions
- No mechanical changes required when changing bag sizes for maximum uptime, uses the same size valve
- Modular design to fit any plant for ease of implementation
- Left hand or right hand valve configurations for flexibility
- Servo controlled motors for precise, repeatable results
- Heavy duty structural steel frame powder coated to withstand demanding environments
- Heavy duty components for challenging environments
- Safety interlocks on access doors
- NEMA 12 Control Panel(s)

## OPTIONS

- Dual robot system includes additional YASKAWA Robot, Bag Carousel and Control Panel
- Wire mesh Fencing
- Safety interlocks on access doors
- Robot Palletizer
- Conveyors
- Complete System Design
- Spare Parts Kits

## SPECIFICATIONS

- Dimensions: 80" x 84" x 105" (single robot systems)
- Electric: 460 VAC, 3 PH, 60 HZ, 32.5 FLA
- Pneumatics: 3.3 SCFM @ 85 PSI
- Electric: 460 VAC, 3 PH, 60 HZ, 65 FLA
- Pneumatics: 6.6 SCFM @ 85 PSI
- Bag placement rate: Up to 40 bags per minute for dual robot systems (up to 20 bags per minute for single robot systems) - based on bag specifications and system configuration
- Controls: NEMA 12 enclosure