

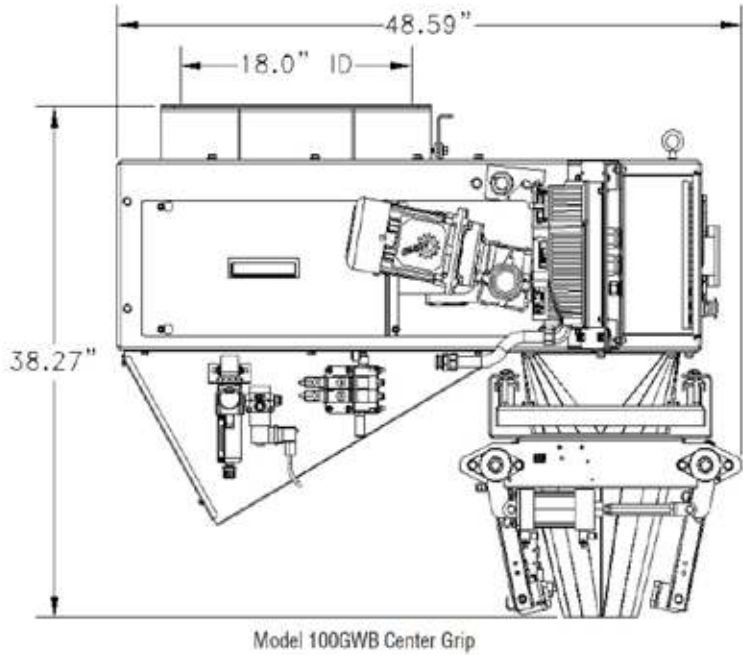
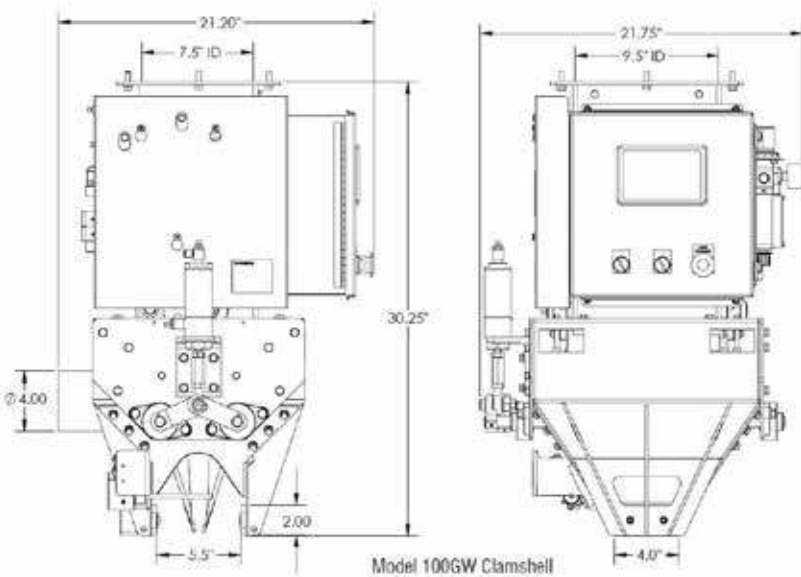
## Gross Weigh Scale

The Hamer Brand Model 100 GW Gross Weigh Bagging Scale introduces next generation technology to gross weigh bagging and filling. This bagging scale is used for semi-automatic filling of free flowing granular products like seed, feed, grains, dry sand, salt and others.



### DESIGN

Unique bag in place window allows operators to visually confirm bag is properly placed before filling. The 100GW Gross Weigh Scale has a compact design fits most plants. The unique dual load cell design eliminated inaccuracies inherent in single load cell scales. This particular gross weigh scale is fast, accurate, and easy to use.



## FEATURES

- For free flowing granular products like seed, grains, dry sand, salt, plastic pellets, chemicals, fertilizer, and others
- Paper, poly, polywoven, or woven bags
- 100GW: Up to 16 bags per minute
- Durable all steel construction
- Dual load cells for greater accuracy
- Bulk or bulk/dribble settings
- Easy access flow controls
- Digital indicator with high visibility display
- Simple software operation and set-up
- Lbs/kg weight display
- Bag clamp whisker switch
- Bag hold switch
- Rice Lake 720i digital weight indicator
- Auto zero
- Auto bag in place
- Auto hold for underweight bags
- 4" diameter dust port (Clamshell)

## OPTIONS

- Center Grip
  - Bag Holder
  - Dust Tight Bag Holder
- 304 stainless steel construction
- Upright bag conveyors
- Bag top sealers for all bag types
- Bag palletizing systems
- Complete bagging systems

## SPECIFICATIONS

- Minimum Bag Width: 8" (Center Grip) / 12" (Clamshell)
- Construction: carbon steel
- Finish: powder coated
- 10 lbs to 110 lbs (5 kg to 50 kg)
- Dual single point load cells
- Accuracy: 100GW +/- 1 oz; 100GWB +/- 2-3 oz
- 100GW Dimensions: L 30.25", W 21.75", D 21.20"
- 100GW Electrical:
  - Control: 110 VAC, 1ph, 60hz, 3 amp
- 100GWB Dimensions: L 38.27", W 34.74", D 48.59"
- 100 GWB Electrical:
  - Control: 110 vac, 1 ph, 60 hz, 2 amp
  - Belt Drive: 230 vac, 3 ph, 60 hz, 2.4 amp
- Air: 2 cfm @ 80 psi