

## Extreme Series High Speed Shrink Tunnel

The unique chamber design and airflow system allow the operator complete control of the shrink process, whether the product and film require a gentle air flow or greater circulation for high speeds and high quality shrink. The innovative in chamber bottom pre-shrink gives control of seal placement. On thin products the seal can be placed on the edge or bottom of the package. The directional air flow controls eliminate dog ears and the small wrinkles left by other designs.

Compared to other tunnel designs that use dual chambers, Extreme's single chamber design is shorter, saving valuable factory space. Single chamber design requires fewer components and controls, lowering repairs and maintenance costs while increasing longevity and reliability of the tunnel.

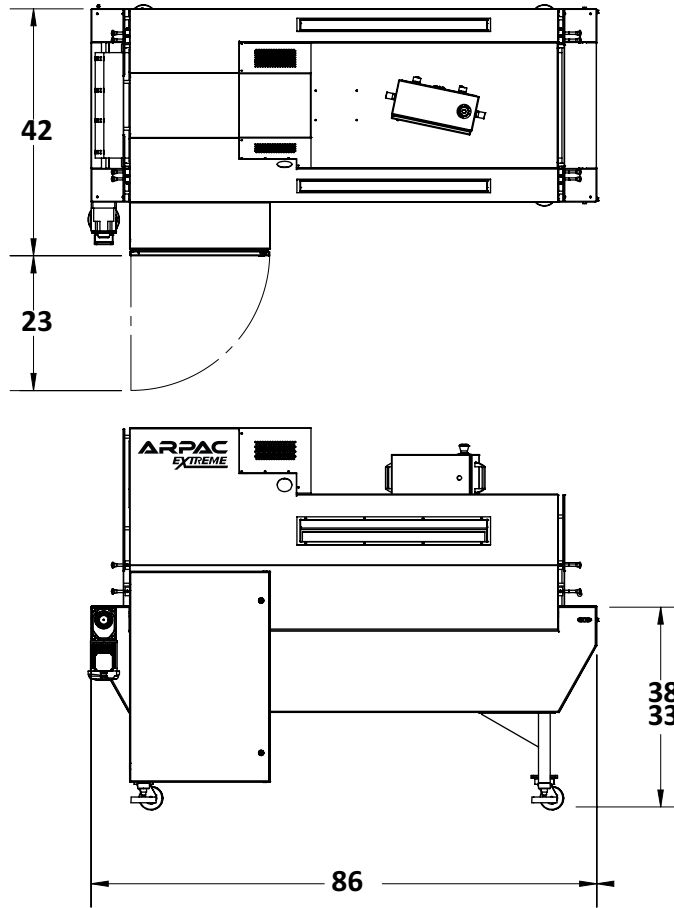
### FEATURES & BENEFITS

- Heavy Duty Welded Construction
- Bottom pre-shrink section in chamber controls seal placement on the package
- Choice of heavy duty wire belt or live roller conveyor; the wire belt is a zero maintenance item
- Digital temperature control maintains very precise internal temperatures
- AC variable frequency drive blower motor offers air flow control
- Directional air flow dampeners (8 zones) allows for product tuning
- Product viewing windows on both sides of tunnel gives a clear view of the shrink process
- Easy access to all components simplifies maintenance and repair



### APPLICATIONS

- Automotive
- Beverage
- Building Supplies
- Consumer Goods
- Contract Packaging
- Food
- Health & Beauty
- Material Handling
- Printing & Publishing



Final layout may vary

Description	XT 18 Specifications	XTE 18 Specifications	XT 30 Specifications
<b>Chamber Dim.</b>	21" Wide x 12.5" Tall x 73" Long	21" Wide x 12.5" Tall x 97" Long	33" Wide x 16" Tall x 73" Long
<b>Conveyor Dim.</b>	18" Wide x 86" Long	18" Wide x 110" Long	30" Wide x 86" Long
<b>Electrical</b>	208/240 VAC, 60 Amps, 3 Phase, 60 HZ	208/240 VAC, 60 Amps, 3 Phase, 60 HZ	208/240 VAC, 60 Amps, 3 Phase, 60 HZ
<b>Conveyor Speed</b>	Up to 180 Feet per Minute	Up to 180 Feet per Minute	Up to 180 Feet per Minute
<b>Operator Controls</b>	Right Hand	Right Hand	Right Hand
<b>Heater</b>	15 KW	15 KW	15 KW



Viewing Windows on Both Sides of the Tunnel



Chain Mesh Belt



Easy To Use Swivel Control Panel