

Dual Axis Servo Controlled Side Seal Wrappers

The S Series is available with a number of plug and play infeeds to fit your present and future needs. This state of the art motion control platform consists of Allen-Bradley® CompactLogix PLC with ethernet communication and color touchscreen. Kinetix drives for dual-axis servo cross seal and three 1 HP direct drive vector motors drive the side seal, traveling belt and infeed Conveyors. The cross seal can operate in programmable cam, package activated auto length and random length mode. The programmable orbit feature produces strong, quality seals with all commercial shrink films. This platform offers high speed operation, repeatability, low maintenance, reliability and extraordinary flexibility.



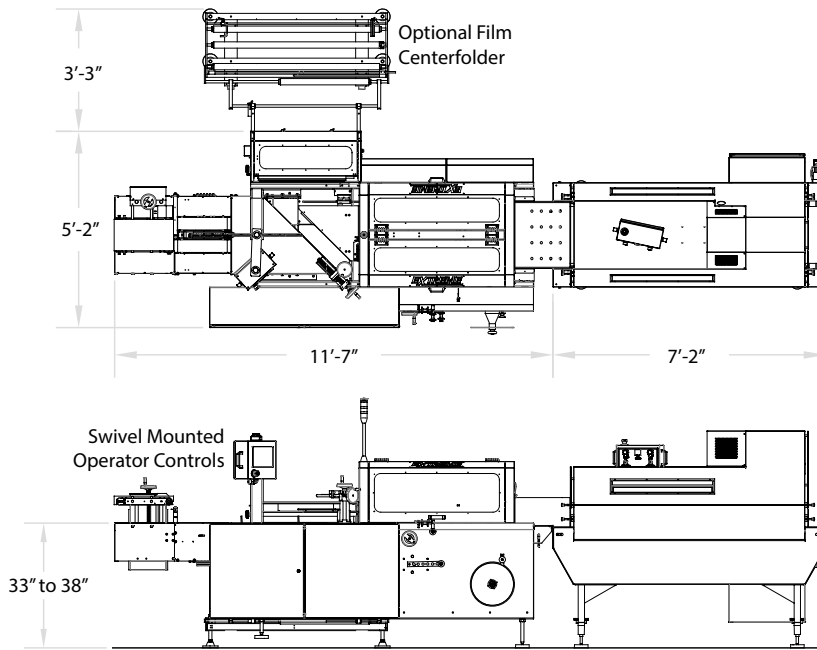
NEXTGEN



ZEROEDGE

APPLICATIONS

- Automotive
- Beverage
- Building Supplies
- Consumer Goods
- Contract Packaging
- Food
- Health & Beauty
- Material Handling
- Printing & Publishing



Final layout may vary, layout with tunnel shown.

FEATURES

Quality and Workmanship

- State of the art controls
- Heavy duty welded frame
- Double powder coat and stainless steel finish
- Oversized drives
- Top seal bars with multi-zone heater design

Versatility

- Multiple frame and cross seal sizes with a wide range of plug and play infeed choices
- Large selection of options and accessories
- The top seal can run polyolefin, polyethylene and PVC films

Low Maintenance

- Direct drive motors eliminate chains, sprockets, tensioners and the need for lubrication or any maintenance in those areas
- Self cleaning side seal element only touches the film, it does not use any back up wheels, rubber rollers or separate cutting devices that require maintenance or replacement
- Non stick ceramic teflon coated cross seal bars resist build up

User Friendly

- Color touchscreen on swivel allows two sided operation
- Stores 16 package set-ups and includes self-diagnostics and troubleshooting guide
- Tool-less changeover
- Large gull wing doors allow easy access to major machine assemblies for periodic cleaning and inspection

Efficiency

- Efficient film usage due to the direct film delivery path and side seal design
- The dancer bar controlled selvage winder controls film trim tension so that minimal waste is produced
- Digitally controlled bag length produces consistent packages for optimum display of the product
- Step by step programming and large library recipe storage yields maximum up-time during product changeover

SPECIFICATIONS

- Film speed: 150 feet per minute
- Packages per minute: 120
- Cross seal type: 4 variations with multi-zone heaters
- Film types: Polyolefin, LDPE, PVC
- Operator controls: color touchscreen on swivel
- Electrical requirements: 208/240 VAC, 3 Ph, 60 HZ
- Air requirements: no air required

Base Model	Cross Seal Dim.	Max. Package Dim.	Matching Tunnel	Film Width (Max.)
S18	20" W x 8.5" H	∞ L x 18" W x 8" H	XT18	25" CF
S24	26" W x 12.5" H	∞ L x 24" W x 12" H	XT30	31" CF
S30	33" W x 12.5" H	∞ L x 30" W x 12" H	XT30	38" CF