

Arpac Brand Patriot Model Pallet Wrapper

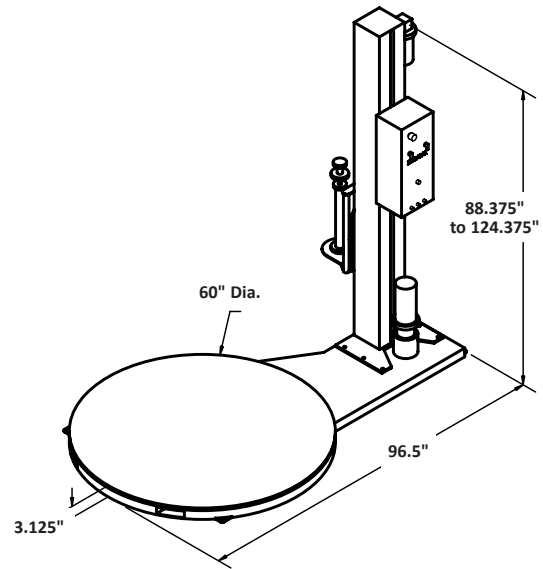
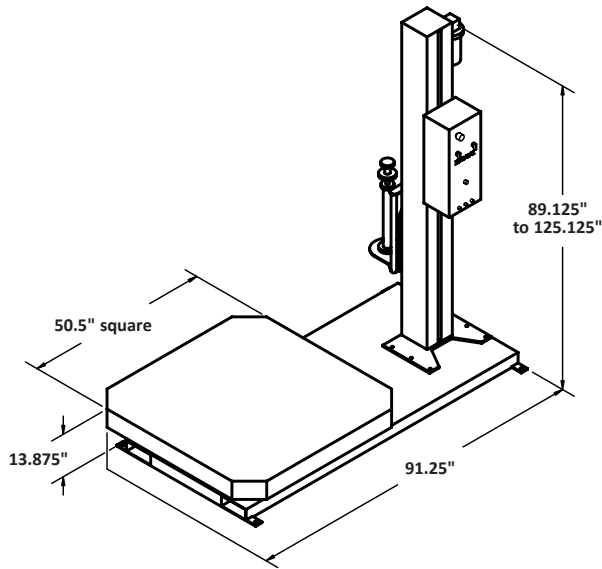
Our ARPAC Brand Patriot Model is a semi-automatic Turntable Style pallet wrapper with the right set of features for an entry level machine, making it ideal for low volume production environments. Like all of our pallet wrappers, the Patriot is constructed of heavy-duty, welded steel structures designed for long life and machine stability. Complete with easy to use Allen-Bradley controls, the Patriot is an ideal solution for many applications.

The Patriot Model can help reduce labor and material costs while improving production efficiencies. It is available in both low profile and high profile versions with a load capacity of 4,000 lb. The chain driven turntable and carriage and all steel welded construction make it one of the most durable machines on the market. With a wide selection of turntable and tower options, the Patriot can be configured to handle oversized and tall loads.



APPLICATIONS

- Automotive
- Beverage
- Building Supplies
- Consumer Goods
- Contract Packaging
- Food
- Health & Beauty
- Material Handling
- Printing & Publishing



Final layout may vary.

FEATURES

- Heavy-duty, welded steel construction (no plastic panels) designed for long life
- Magnetic proximity switches in place of mechanical limit switches
- Long-range photo eye for automatic load height sensing
- Adjustable top and bottom illuminated LED wrap counters
- Allen-Bradley® power, control, and safety components
- Allen-Bradley® MicroLogix™ PLC
- ANSI 50 turntable chain drive system
- Cycle pause feature
- Manual jog turntable control
- Top film overwrap control feature (TOC)
- Adjustable core-brake tension
- UL/CSA approved components

OPTIONS

- Tower and arm extensions for wrapping loads up to load size: 60" L x 60" W x 117" H
- A variety of access ramps to assist loading of pallets
- Split frame construction to increase film tower clearance for oversized loads
- 6,000 lb. load capacity
- 30" film roll
- Cycle counter
- Extended umbilical cords for split frame models
- Integrated scale and printer available
- Other NEMA rated control enclosures available

OTHER SPECIFICATIONS

- Speed: up to 12 RPM rotating table can deliver 25–40 loads per hour
- Variable carriage speed up to 21 FPM
- Electrical power requirements
- 120 VAC, 1 Ph, 60 Hz, 12 A
- Compressed air requirements: none

TURNTABLE SIZE

- Low profile : 60" diameter standard
- 72" diameter optional, (larger sizes available)
- High profile: 50" square standard
- 70" square optional
- 50" x 90" rectangular optional

MAX LOAD HEIGHT

- Low profile: 81" H standard
- 93" H, 105" H, and 117" H options available
- High profile: 74" H standard
- 86" H, 98" H, and 110" H options available