

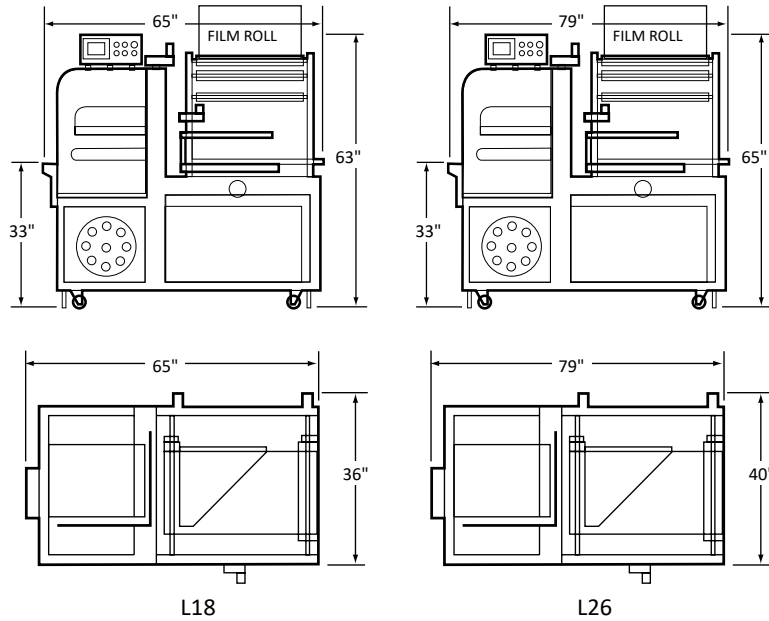
### L-Bar Shrink Wrapper

Our ARPAC Brand L-Bar Series are workhorses in the industry, featuring a proprietary design that provides fast, user-friendly and reliable operation. This flexible L-bar design is guaranteed to provide you with high quality packaging for retail display. The development of the L-bar wrapper is packaging innovation at its finest, featuring a simple and functional design for easy automation.



#### APPLICATIONS

- Automotive
- Beverage
- Building Supplies
- Consumer Goods
- Contract Packaging
- Food
- Health & Beauty
- Material Handling
- Printing & Publishing



Final layout may vary.

## FEATURES

- Welded steel frame in a compact size for space efficiency
- Guillotine style hot knife seal bar design - straight pull vs. cantilever ensure highest quality seal
- Single point adjustment seal height with automatic seal cylinder stroke limiting
- "Seal Height Calibration Sequence" automatically determines proper seal head cushioning
- Allen Bradley Micrologix PLC and color touch screen interface
- Easy load film cradle with on demand power film feed
- Film pinch roller is positioned ahead of seal head eliminating film breaks/tears
- Casters with adjustable legs

## OPTIONS

- Closing conveyor for short length product
- Lower film cradle for ergonomic loading
- Reverse flow (L to R)
- Food approved infeed and discharge belts

## PRODUCT DIMENSIONS

- L18 product range: 1-1/2" to 15" W, 4" to 18.5" L (1.5" with closing conveyor), 1/4" to 6" H
- L26 product range: 1/2" to 19" W, 4" to 26.5" L (1.5" with closing conveyor), 1/4" to 8" H

## SPECIFICATIONS

- Max speed: 40 PPM
- Variable conveyor speed: 45 to 90 FPM
- L18 electrical power requirements: 220 VAC, 1 Ph, 60 Hz, 15 A
- L26 electrical power requirements: 220 VAC, 1 Ph, 60 Hz, 20 A
- Compressed air requirements: 80 psi, 5 SCFM
- L18 machine dimensions: 40" W, 65" L, 63" H
- L26 machine dimensions: 46" W, 79" L, 65" H
- L18 shipping weight: ~1,200 lb.
- L26 shipping weight: ~1,600 lb.

## FILM

- Film roll diameter: 12"
- 45-70 gauge polyolefin or 1-3 mil. low density polyethylene
- L18 film specifications: 24" max., centerfold, B wind
- L26 film specifications: 30" max., centerfold, B wind