

Semi-Automatic Stretch

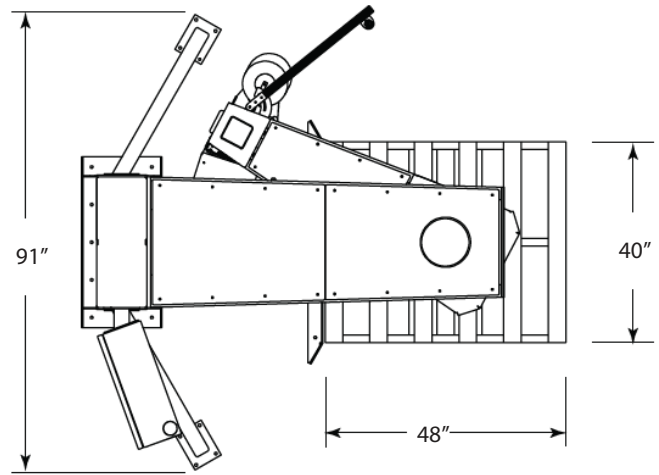
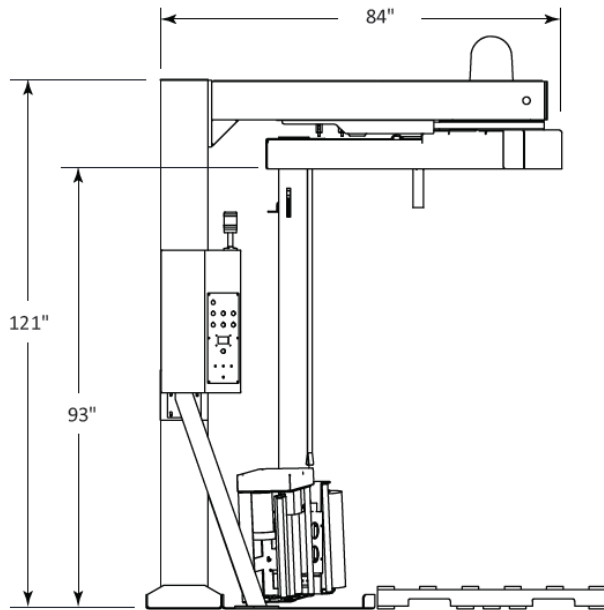
Our EW Model is a Semi-Automatic Rotary Tower style stretch wrapper. Like all of our stretch wrappers, the EW is constructed of heavy-duty, welded steel structures designed for long life and machine stability. Complete with easy to use Allen-Bradley controls, the EW is an ideal solution for many applications.

As a semi-automatic stretch wrapper, an operator manually attaches the film to the load and starts the stretch wrapping cycle. As soon as the wrapping sequence is completed, the film is manually cut and wiped onto the load to secure the film tail. A key benefit of this design is that no air is required, which makes this ideal for cold storage areas where air lines would freeze. It also offers a range of options for a variety of applications and load types, including cold and freezer packages, automatic film tear device, and tower and arm extensions for larger load types.



APPLICATIONS

- Automotive
- Beverage
- Building Supplies
- Consumer Goods
- Contract Packaging
- Food
- Health & Beauty
- Material andling
- Printing & Publishing



Final layout may vary, EW Model.

FEATURES

- Flashing safety beacon
- Adjustable top and bottom illuminated LED wrap counters
- Magnetic proximity switches in place of mechanical limit switches
- Top film over wrap control feature (TOC)
- Electronic film tension adjustment control on control panel
- Long range photo eye for automatic load height sensing
- User-friendly push button operator control panel
- Built-in self-diagnostics
- Positive home position alignment
- Heavy-duty, welded steel construction (no plastic panels) design for long life
- Eco-friendly, durable powder coating
- Up to 15 RPM rotating arm can deliver 25–45 loads per hour
- Dual V-belt drive rotating arm
- NEMA 3 commutator
- Allen-Bradley® power, control, and safety components
- Allen-Bradley® MicroLogix™ PLC
- NEMA 12 electrical cabinet
- UL/CSA approved components
- EZ-Load® film pre-stretch dispenser for 20" film rolls
- Dual anti-static film rollers with manufacturer's lifetime warranty
- Film pre-stretch capability from 150 to 300% stretch (200% standard)
- Variable carriage speed up to 21 FPM

- Belt lift for quiet operation

- Dancer bar variable corner compensation
- Electronic film tension adjustment control

OPTIONS

- Tower and arm extensions for wrapping loads exceeding standard machine capability
- Automatic film tear device (AFTD)
- Cycle counter
- 30" film delivery system
- Other NEMA rated control enclosures available
- Cold and freezer packages available

SPECIFICATIONS

- Min load height: 24"
- Max load height: 80"
- Max load diagonal clearance: 75"
- Max load width & length: 53" x 53"
- Arm rotation speed: Up to 15 RPM
- Machine height: 123"
- Machine length: 84"
- Machine width: 91"
- Electrical: 120 V, 1 Ph, 60 Hz, 20 A, 2.4 kW