

Intermittent Motion Case/Tray Packer

Our ARPAC Brand DPM Model is a compact, intermittent motion wraparound case and tray packer designed to package a wide variety of products in cases or trays.

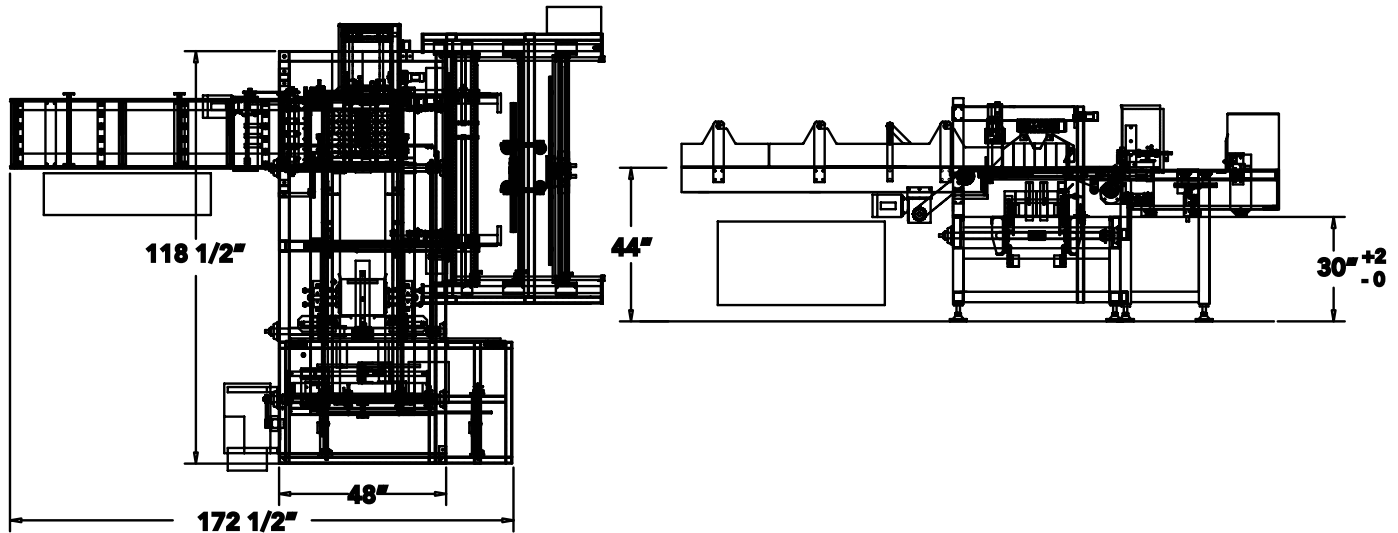
Reaching speeds up to 20 cases or trays per minute, these rugged machines help minimize labor requirements and increase production output. By integrating blank feeding, product loading, case forming and container sealing into a single, compact machine, the DPM Model is ideal for packaging cans, jars, and bottles.

This model is easily integrated into new lines with other packaging equipment – after cartoners and shrink bundlers, or before tray stackers, shrink wrappers and palletizers.



APPLICATIONS

- Automotive
- Beverage
- Building Supplies
- Consumer Goods
- Contract Packaging
- Food
- Health & Beauty
- Material Handling
- Printing & Publishing



Final layout may vary, DPM Model.

FEATURES

- Combines erecting, loading and glue sealing into one system
- Heavy-duty rugged construction designed for high durability and 24/7 operation
- Baked on powder coat finish provides a durable scratch resistant surface and prevents corrosion
- Allen-Bradley® programmable logic controller
- Crank adjustable blank feed with precision scales for easy setup
- Zero clearance systems form a tight package, transforming a flat board to a wrap-around case or tray for superior product protection
- Squaring compression creates excellent package appearance
- Nordson ProBlue® hot melt adhesive system for superior application flexibility and adhesion
- Central point lubrication simplifies routine maintenance

OPTIONS

- Standard and customized infeeds
- Servo-operated drop zone
- Vacuum Platen for electric turbine vacuum generator (No compressed air)
- Magnetic platen
- FOL (Full OverLap) instead of RSC (Regular Slotted Case)
- Crank adjustable lanes
- Extended hopper

SPECIFICATIONS

- Up to 20 cases/trays per minute
- Electrical: 230 or 460 V, 3 Ph, 60 Hz, 50 or 25 A, (20 kW)
- Pneumatic: 80 psi, 20 SCFM (25 cycles per minute)
- Case size range: 9" to 20" W, 5" to 14" L, 3" to 10" H
- Tray size range: 9" to 20" W, 7" to 14" L, 3" to 10" H

CORRUGATE

- B flute Kraft corrugation
- Burst strength: 150 or 200 lb per square inch
- Balanced outside and inside liners to avert warped blanks
- Minimum combined weight facings: 98 lb per square inch
- Maximum 1/4" warpage over 12" corrugated surface
- Blank stack height: 12.5" (holds 100 1/8" blanks)

GLUE TYPE

- Food grade hot melt adhesive
- Transparent, odorless, granulated
- 0.5 to 1 second set time
- Ejected at 300° to 350°F (160° to 180° C)