

Intermittent Motion Shrink Bundler

The ARPAC Brand AGR Model is specifically designed and built for dairy and food processing.

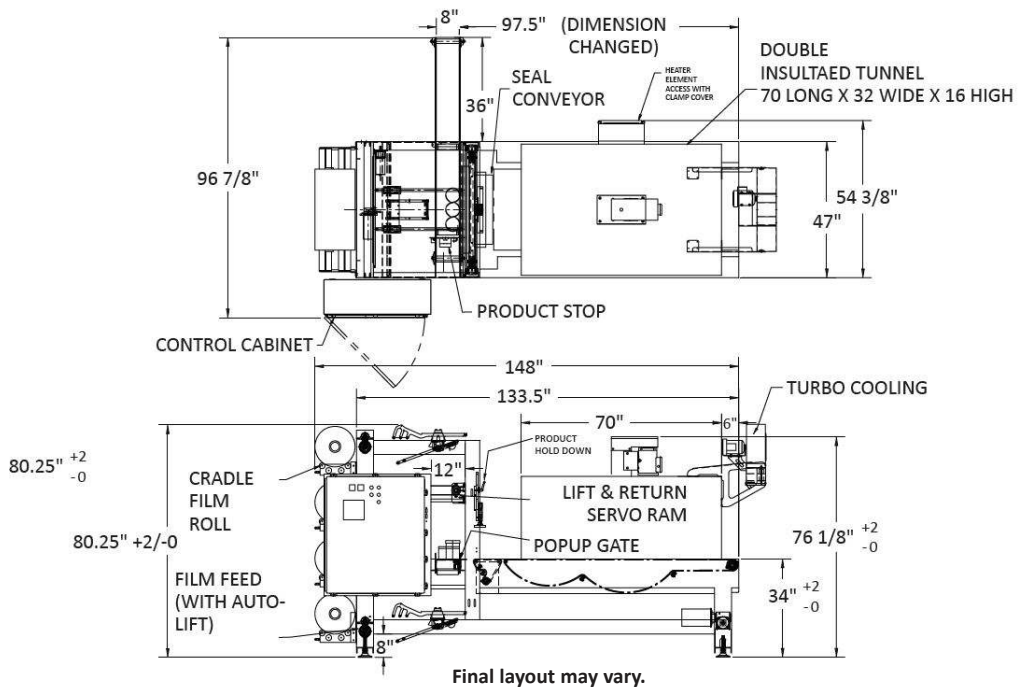
This compact, right-angle shrink bundling system collates and over-wraps multiple arrangements of scrouds, rounds, squares, pints, quarts, cans and other food containers in a single or dual lane configuration.

Ideal for wash-down environments, this single frame, heavy-duty stainless steel system, with NEMA 4X electrical cabinets and controls, is designed and built in compliance with FDA and food industry standards. Smooth product transfer and product stability is ensured with a product transfer bridge and product hold down feature.



APPLICATIONS

- Automotive
- Beverage
- Building Supplies
- Consumer Goods
- Contract Packaging
- Food
- Health & Beauty
- Material Handling
- Printing & Publishing



FEATURES

- Low profile, compact, single frame construction designed for round-the-clock operation
- Heavy-duty tubular stainless steel frame for washdown environments
- Stainless steel mesh guarding with safety switches
- Independently driven film feed rollers with easy threading feature
- Dual roll top and bottom film cradles
- Central point lubrication (nylon lines) simplifies preventative maintenance
- Allen-Bradley® MicroLogix PLC
- Allen-Bradley® PanelView 600 Plus operator interface with color touchscreen with message display and self-diagnostics
- NEMA 4X electrical controls and cabinets
- Low film alert warns that a film changeover will soon be necessary
- Independently driven (AC VFD) conveyor belts
- Rodless cylinder main ram
- High precision heavy duty seal frame with seal bar safety sensor.
- Quick change seal bar with coated seal inserts
- Product hold-down for light products
- Transfer bridge plate for smooth product transition through seal gap
- Easy access pullout heater elements
- Triple insulated high velocity shrink tunnel
- High temperature plastic, sprocket driven tunnel belt
- Cooling section at tunnel exit for immediate product handling

SPECIFICATIONS

- Output speed: up to 25 packages per minute, depending on product specifications.
- Electrical: 460 V or 240 V, 3 Ph, 60Hz, 39A
- Pneumatic: 80 psi, 10 SCFM
- Film width: 27" max.
- Film roll diameter: up to 14"
- Low density polyethylene (L.D.P.E.)

OPTIONS

- Casters for machine portability
- Servo driven ram for custom applications
- Servo driven seal frame
- Allen-Bradley® Compact Logix (standard with servo option)
- Allen-Bradley® PanelView 700 Plus or PanelView 1000 Plus
- Film splicing assembly
- Stainless steel tunnel belt with bottom heat
- Central lubrication with copper or stainless steel tubing
- Lane dividers, stackers and turners available
- Novelty corrugated sleeve