

Manually Operated Shrink Bundler

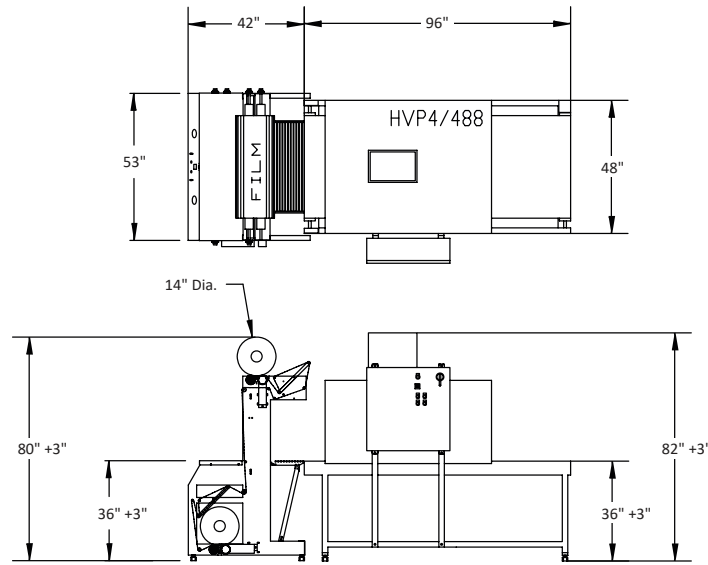
Our ARPAC Brand 737C Model is a manually operated shrink bundler for low volume applications. The 737C is perfectly suited for small batch runs and offline packaging.

Often used as a stand-alone unit, its versatility and mobility makes the 737C ideal when package sizes vary and floor space is limited. With a straight-through infeed, this manually operated shrink bundler wraps individual and randomly grouped packages. Combined with an Arpac Brand shrink tunnel, the 737C Model ensures optimum production efficiency with minimum downtime and maintenance costs.



APPLICATIONS

- Automotive
- Beverage
- Building Supplies
- Consumer Goods
- Contract Packaging
- Food
- Health & Beauty
- Material Handling
- Printing & Publishing



Final layout may vary, shown with tunnel.

FEATURES

- Ultra-compact rugged steel construction
- Safety system on seal jaws prevents seal jaw or package damage in case of product jams
- Adjustable seal bar opening allows operator to raise or lower seal line to improve package appearance
- Powered film feed – top and bottom rolls automatically adjust to varying depths and heights of intermixed bundles
- Seal cleaning film cut off hot knife burns through film cleanly with no film residue build up on the knife

OPTIONS

- Powered discharge conveyor
- Casters for easy machine portability
- Extended Dead Plate Infeed Table
- Extended Idler Roller Discharge
- 460VAC power
- Auxiliary E-Stop
- Spring loaded compression rollers

SPECIFICATIONS

- Speed: manually fed and manually operated seal bars or up to 15 bundles per minute
- Electrical power requirements: 230 VAC, 1 Ph, 60 Hz, 15 A
- Compressed air requirements: 80 psi, 5 SCFM
- Film roll diameter: up to 14" with a 3" core
- Film gauge: 1-3 mil
- Film Type: low density polyethylene (L.D.P.E.)
- Other film specifications: clear or randomly printed

PRODUCT RANGE:

- Minimum: 6" W x 6" L x 6" H
- Maximum: 35" W x 18" L x 19.5" H