

NVENIA
A DURAVANT COMPANY

**HAMER BRAND RPM
ROBOTIC PALLETIZING SYSTEM**

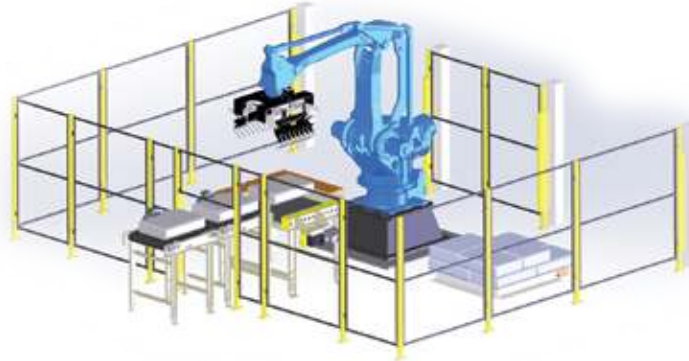
The Hamer Brand Robotic Palletizing Module (RPM)

Hamer brand robotic palletizers are completely assembled, wired and tested in our manufacturing facility. Systems are wired with conduit and j-boxes to make system re-assembly and install in your facility fast and easy. All palletizers are programmed and tested on the specific products they will be running to ensure stack quality and speeds before they leave our factory.

AUTOMATIC SINGLE OR DUAL STACK SYSTEMS

- Small footprint
- Low cost, high productivity
- Single or dual cell configurations

Hamer brand semi-automatic palletizers are an efficient palletizing solution, providing 80% of palletizing automation at a significantly lower cost than fully automatic systems. Safety light curtains and controls ensure the robot is not active in a stacking cell when fork trucks are present. Semi-automatic palletizers can be configured in dual stacking cell (shown) or single stacking cell configuration.

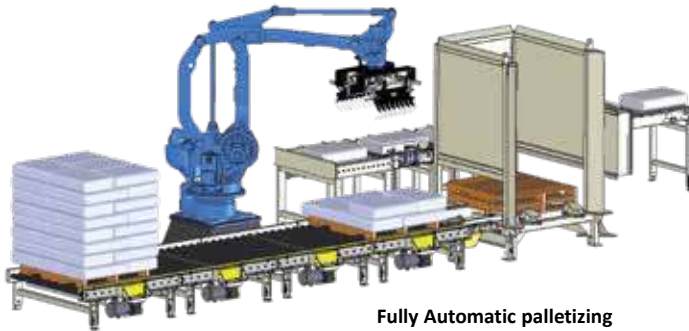


Dual Stacks, Semi-auto palletizing

FULLY AUTOMATIC PALLETIZING SYSTEMS

- Automate from bagging line to stretch wrapper
- 100% of palletizing labor is eliminated
- Highest production rates

To maximize impact of automated palletizing, the addition of a Pallet Dispenser, Slip Sheet Dispenser and fully automatic Full Pallet Transfer Conveyors provide a completely automated palletizing system. This system feeds empty pallets with or without slip-sheets automatically to the Stacking area. Products are then picked and stacked on the pallet. When complete, the full pallet is transferred to in-line stretch wrapping or stretch hooding equipment.



Fully Automatic palletizing



Bag palletizing



Pallet Dispenser



Slip Sheet Dispenser

EXCLUSIVE EasyPic™ OPERATOR HMI MaxPic™ OPERATING SYSTEM

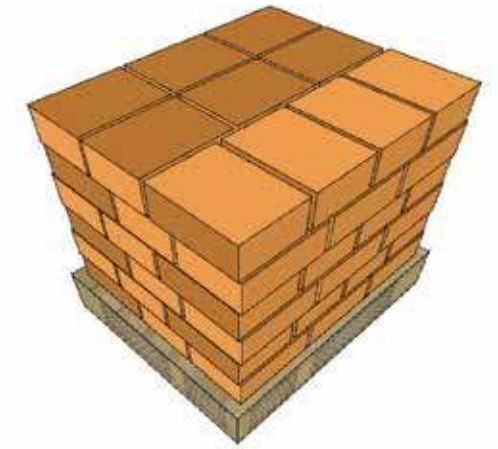
EasyPic allows for fast and easy adjustment to pallet stack, uploading stored pallet configurations or creating new pallet designs.

MaxPic incorporates Yaskawa Pallet Solver and EasyPic into one powerful programming, operational and multi-plant data share tool. With MaxPic, pallet configurations designed on one line or at a single location can be transmitted and shared with all MaxPic configured Hamer Robotic Palletizers. Manage up to 40 SKU's with different pallet configurations at several locations. Program/set up at one location and file share between plants for automatic upload into any Hamer MaxPic system.



END OF ARM TOOLING – EOAT

We offer a wide variety of End of Arm Tools to meet any palletizer application. All Hamer EOAT solutions are solidly built, easy to maintain and deliver maximum performance. Single pick, multi-pick, gripper or vacuum are proven performers.



INDUSTRIAL, HEAVY DUTY CONVEYORS

Our palletizing system conveyors are designed for long life in virtually any plant environment. Roller to roller chain drive pick conveyors, direct drive pace and in-feed conveyors, all with 10 ga formed channel sides, powder coat finish, heavy-duty bearings and industrial grade belting and rollers. Our CDLR, chain driven live roller full pallet conveyors come in 3,000 lb. or 5,000 lb. and are built using 6" structural steel channel with powder coat finish.



Conditioning Conveyors



Pace/Pick Conveyors



CDLR Full Pallet Conveyors

FEATURES

- Fastest palletizing rates
- Bag, case, pail/bucket palletizing
- Small footprint systems
- Programmable/selectable pallet patterns
- Yaskawa/Motoman industrial robotic arm
- Allen Bradley® PLC with Touchscreen
- 160KG/320 lb capacity robot arm
- DX 200 robot control panel
- Robot mounting base
- Robot teach pendant
- Industry standard wire mesh safety guarding with interlock access door
- Safety compliant to ANSI/RIA Safety requirements

SPECIFICATIONS

- Semi-auto, up to 22 per minute
- Single pick, fully automatic, up to 28 per minute
- Multiple pick, fully automatic, 40+ per minute (rates are pallet design/case/bag size dependent)
- Power: 460V, 3 Ph, 60 Hz
- Air: 2-10 CFM @ 80 PSI (design dependent)
- Controls: NEMA 12 enclosure, UL/cUL
- Safety: Design/Controls are compliant to ANSI/RIA requirements



OPTIONS

- EasyPic™ Operator HMI
- MaxPic™ operating system.
- Fully automatic or semi-automatic systems
- Multiple robot arm models
- NEMA 4X controls and robot protection packages for corrosive environments
- Access to full line of Yaskawa/Motoman robots for custom solutions
- Corrosion resistant packages for conveyors
- Various power options
- Servo chiller for high temp
- End Of Arm Tooling:
 - Bag Clamp, single or multiple pick
 - Bag Clamp, fixed size, manually adjustable or, servo/automatically adjustable
 - Case Grip, single or multiple pick
 - Fork Style, multiple pick
 - Vacuum, single or multiple pick
- Multi-function end of arm tooling:
 - Pallet pick/place
 - Slip-sheet pick/place
 - Auto tool change
 - Auto height sensor
- Multiple pick points
- Multiple stack points
- Custom conveying for bag, case, bucket/pails conditioning, in-feed, pacing, picking, power curves, accumulating
- Automatic Pallet Dispenser
- Automatic Slip Sheet Dispenser
- CDLR full pallet conveyors
- 90 degree full pallet transfer
- Quad muting light curtains for continuous operation (semi automatic)
- Integrated automatic stretch wrapper or stretch hooder
- Automated, semi-automated or manual bagging systems

750 N Wood Dale Road | Wood Dale, IL 60191 USA | P 847 678 9034 | F 847 671 7006 | www.nVenia.com