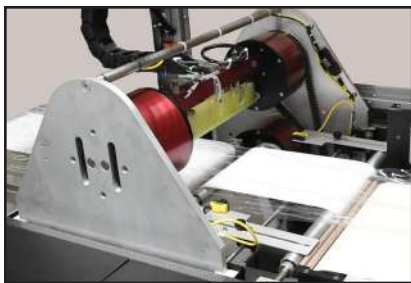


Continuous Motion Servo Rotary Wrapper

Our ARPAC Brand XR Series represents our high performance wrapper, ideal for high speed applications that require accurate and repeatable shrink seal quality.

This 4-axis servo driven XR wrapper provides real-time feedback and control to run precisely spaced products regardless of changes in the incoming product speed. With our patented rotary head design, the XR model is a robust, high performance design that focuses on machine uptime and reliability. The XR series can be configured in a typical cross seal or top seal orientation to fit a wide range of product profiles.



Continuous motion Rotary Seal Bar



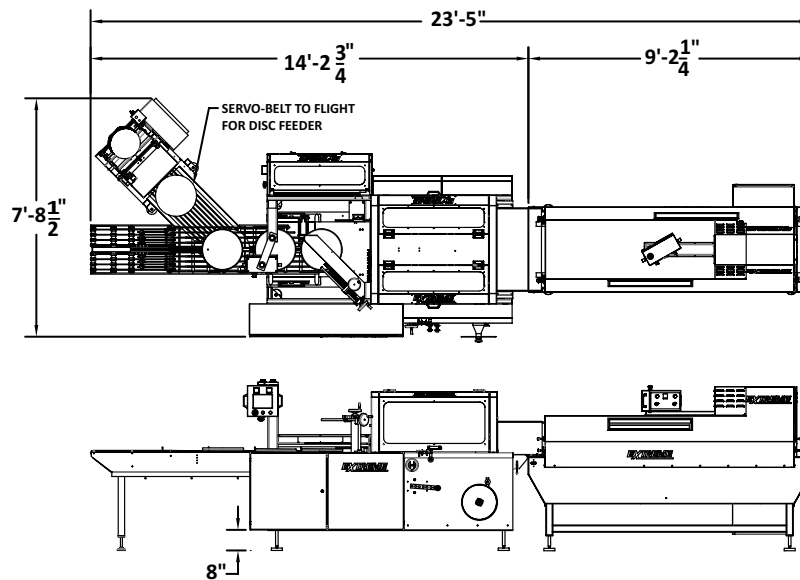
Next Generation Side Seal Option



Zero Edge Option

APPLICATIONS

- Automotive
- Beverage
- Building Supplies
- Consumer Goods
- Contract Packaging
- Food
- Health & Beauty
- Material Handling
- Printing & Publishing



Final layout may vary, XR24X layout with tunnel shown.

FEATURES

- Patented rotary cross seal motion for smooth high speed performance – rotary top seal optional
- 4 Servo axis for high speed accuracy and repeatability
- Speed modulation programming will match upstream production rates for smooth product control
- Low height film rack holds double length centerfolded rolls of film
- Heavy duty welded construction
- Powder coat finish provides a durable scratch resistant surface that prevents corrosion
- Power selvage winder with dancer bar control & film break detect
- NextGen side seal/top seal with overload & wrap around sensor
- Electronic film bunching relieves film tension between products
- Tool-free changeover
- Direct drives for maintenance free operation
- All conveyor drives servo driven for maximum control and precision

OPTIONS

- Standard or custom infeeds for almost any application
- Powered product bypass
- Single or dual roll film centerfolders
- Rotary top seal

SPECIFICATIONS

- Speed: up to 200 cycles per minute
- Electrical power requirements: 460 VAC, 3 Ph, 60 Hz
- Compressed air requirements: none

PRODUCT DIMENSIONS:

- XR-15: 14" W, Infinite length, 4.5" H
- XR-24: 22" W, Infinite length, 4.5" H
- XR-30: 30" W, Infinite length, 4.5" H
- Top Seal Model: 5" W, Infinite length, 10" H

FILM

- Film type: 40 - 90 gauge polyolefin
- Film width up to 64" flat or 30" centerfolded
- Film roll diameter: 16"
- 45 - 90 gauge polyolefin
- 1-3 mil. low density polyethylene