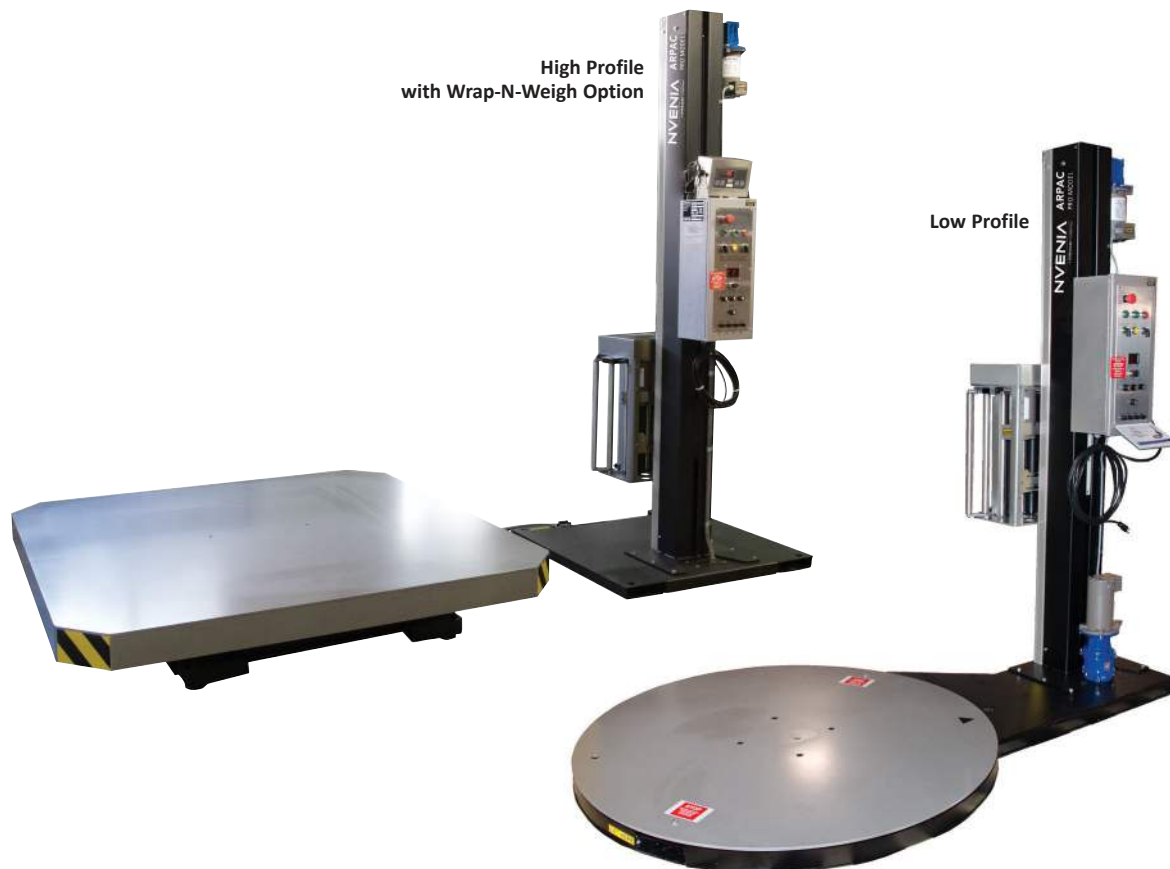


### Turntable Style Pallet Wrapper

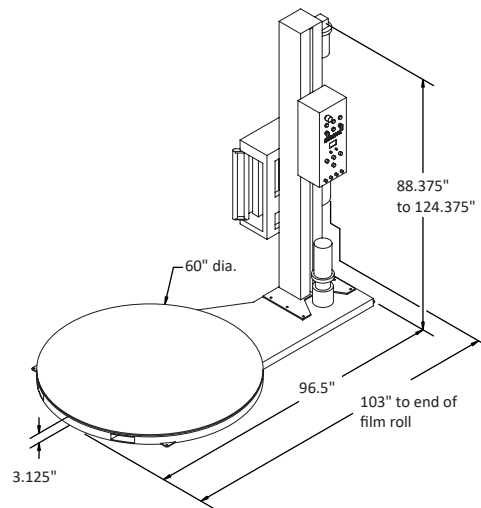
Our ARPAC Brand Pro Model is a Semi-Automatic Turntable style pallet wrapper, representing one of the most versatile and cost-effective solutions in the market. Like all of our stretch wrappers, the Pro Model is constructed of heavy-duty, welded steel structures designed for long life and machine stability. Complete with easy to use Allen-Bradley controls, the Pro Model is an ideal solution for many applications.

The Pro Model is available in both low profile and high profile versions with a load capacity of 4,000 lb. The chains on this model are enclosed within the tower frame, ensuring safer operation. The machine is available with a variety of options such as the Wrap-N-Weigh feature that integrates wrapping and weighing operations into the machine along with a printer option.



#### APPLICATIONS

- Automotive
- Beverage
- Building Supplies
- Consumer Goods
- Contract Packaging
- Food
- Health & Beauty
- Material Handling
- Printing & Publishing



Final layout may vary.

## FEATURES

- Heavy-duty, welded steel construction (no plastic panels) designed for long life
- ANSI 50 turntable chain drive
- ANSI 40 chain lift drive
- Long-range photo eye for automatic load height sensing
- Adjustable top and bottom illuminated LED wrap counters
- Manual jog control for turntable
- Cycle pause feature
- Allen-Bradley® power, control, and safety components
- Allen-Bradley® MicroLogix™ PLC
- EZ-Load® film pre-stretch dispenser for 20" film rolls
- Automatic top film over wrap control feature (TOC)
- Dual anti-static film rollers with manufacturer's lifetime warranty
- Electronic film tension adjustment control on control panel
- Dancer bar variable-corner compensation
- UL/CSA approved components

## MAX LOAD HEIGHT

- Low Profile: 81" H Standard
- 93" H, 105" H, and 117" H Optional
- High Profile: 74" H Standard
- 86" H, 98" H, and 110" H Optional

## TURNTABLE SIZE:

- Low profile: 60" diameter standard, 72" & 90" dia. optional
- High profile: 50" Square Standard, 70" square & 50" x 90" rectangular optional\*

\*not available with Wrap-N-Weigh option

## OPTIONS

- Extended film towers for wrapping taller loads exceeding standard machine capability
- Multiple turntable sizes
- 6,000 lb. load capacity
- 30" film roll
- Wrap-N-Weigh scale built into platform
- Split frame construction to increase film tower clearance for oversized loads
- Low-profile and High-profile turntables
- Access ramps to assist loading of pallets
- Automatic film tear device
- Cycle counter
- Adjustable roping guide
- Bottom rollover bar
- Foot pedal control
- Remote start
- Extended umbilical cords for split-frame option
- Top platen device to stabilize tall or light loads during rotation

## SPECIFICATIONS

- Speed: up to 12 RPM rotating turntable can deliver 25-40 loads per hour
- Variable carriage speeds: up to 21 FPM
- Electrical power requirements: 120 VAC, 1 Ph, 60 Hz, 12 A
- Compressed air requirements: none
- Film Roll Diameter: 20"
- Film pre-stretch capability from 150% to 300% stretch factor (200% standard)