

Semi-Automatic Turntable Style Pallet Wrapper

Our ARPAC Brand Pro Elite Model is a Semi-Automatic Turntable style pallet wrapper, providing a premium set of standard features and available options. Like all of our stretch wrappers, the Pro Elite Model is constructed of heavy-duty, welded steel structures designed for long life and machine stability.

The Pro Elite Model is available in both low profile and high profile versions with load capacity up to 6,000 lb. (4,000 lb. standard). It is equipped standard with an easy to use 5.7" color touchscreen HMI, LED lighting at the top of the tower, 3 different wrap modes and up to 10 storable load recipes. Troubleshooting is dramatically simplified with fault indicators and resolution tips built into the HMI and machine settings can be stored and locked via security settings.

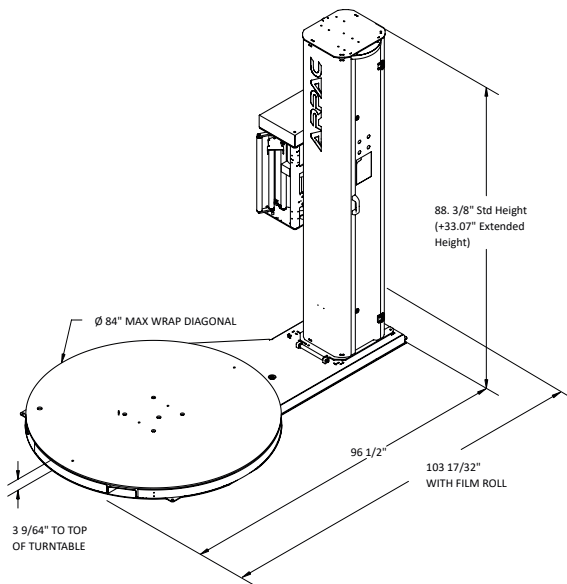


APPLICATIONS

- Automotive
- Beverage
- Building Supplies
- Consumer Goods
- Contract Packaging
- Food
- Health & Beauty
- Material Handling
- Printing & Publishing

FEATURES

- 5.7" easy to use color HMI
- Security access to machine settings
- 3 Wrap Modes: bottom wraps first, top wraps first, one way wrap (bottom to top)
- 10 Storable Load Recipes
- Easy to troubleshoot – fault indicator with resolution tips
- Heavy-duty, welded-steel construction (no plastic panels) designed for long life
- LED lighted control panel
- Long-range photo eye for automatic load height sensing
- Adjustable top and bottom LED wrap counters
- Auto home button for turntable
- Manual jog features for turntable and carriage
- EZ-Load film pre-stretch dispenser for 20" film rolls
- Dual anti-static film rollers with manufacturer's lifetime warranty
- Electronic film tension adjustment control
- Top film overwrap control (TOC)
- Cycle pause feature
- Dancer bar variable corner compensation
- Belt carriage lift system for quiet operation
- Separate Up/Down carriage speeds
- Unique carriage slide system
- UL/CSA approved components



Final layout may vary.

OPTIONS

- Extended film towers for wrapping taller loads exceeding standard machine capability
- Multiple turntable sizes
- Wrap-N-Weigh scale built into platform
- Split frame construction to increase film tower clearance for oversized loads
- Extended umbilical cords for split-frame option
- Dual turntable
- Multiple ramp options
- 30" film roll
- Cycle counter
- Adjustable roping guide
- Bottom rollover bar
- Foot pedal control
- Remote Start
- 6,000 lb. load capacity
- Low-profile and high-profile turntables
- Automatic film tear device

OTHER SPECIFICATIONS

- Speed: up to 15 RPM rotating turntable can deliver 25 - 40 loads per hour
- Variable carriage speeds: up to 21 FPM
- Electrical power requirements: 120 VAC, 1 Ph, 60 Hz, 12 A
- Compressed air requirements: none
- Film pre-stretch capability from 150% to 300% stretch factor (200% standard)
- Film roll diameter: 20" standard, up to 30" optional

TURNTABLE SIZE

- Low profile: 60" diameter standard, 72" diameter optional, 90" diameter optional
- High profile: 50" square standard, 60" square optional, 70" square optional, 50" x 90" rectangular optional*

*not available with Wrap-N-Weigh option

MAX LOAD HEIGHT

- Low profile: 80" H standard, 110" H optional
- High profile: 80" H standard, 110" H optional