

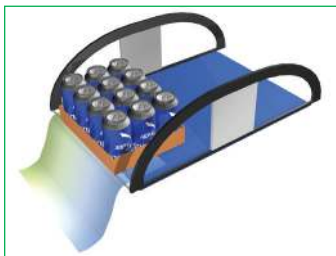
Continuous Motion Shrink Bundler

Using single roll print registered polyethylene film, our BPMP Model ensures accurate placement of printed logos, graphics and advertising messages on each bundle with a bullseye enclosure. Print registered film provides an attractive forum for your retail marketing message at a fraction of the cost of traditional paperboard packaging. The finished package is an easy to carry multi-pack that is attractive to the end consumer. Servo technology ensures the wrapper provides gentle product handling and precise wrapping. This automatic system accumulates product into patterns, wraps print registered film around the patterned product and shrinks the film to make multi-packs.



Model Shown: BPMP-6000

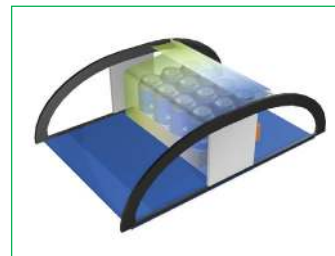
THE PROCESS FOR BOTTOM OVERLAP WRAPPING



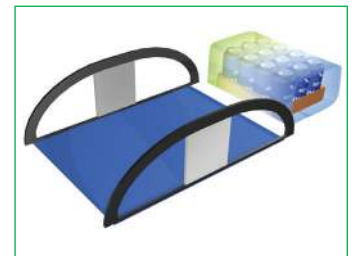
Servo Controlled Film Feed for Exact Print Registration



Film Cut from the Supply Roll



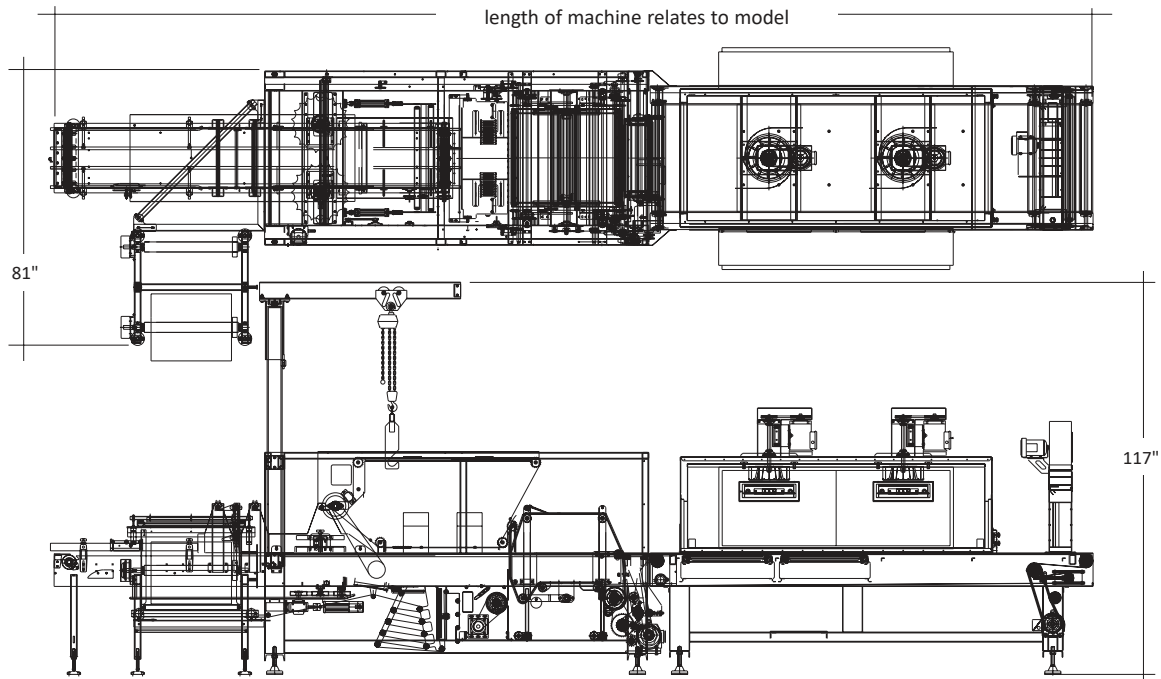
Smooth Motion Wrapping



Bottom Overlap Wrapped Sleeve to Shrink Tunnel

APPLICATIONS

- Beverage
- Contract Packaging
- Health & Beauty
- Consumer Goods
- Food



Final layout may vary.

Model Shown: BPMP-5341, right hand side, opposite hand available on request

FEATURES

- Printed film registration for accurate and repeatable placement of printed graphics
- Heavy-duty frame construction with welded joints for high durability
- Gentle product handling with servo driven collating system
- Servo driven overwrap for smooth and efficient film wrapping
- Servo-driven film feed is low maintenance and can adapt to a wide range of film lengths (no vacuum)
- Side mounted film rack and film splicing bar for quick and easy film changeover with little or no downtime
- Easy machine adjustments for reliable and quick product changeover

OPTIONS

- Tray conversion for tool-less changeover from multi-pack to tray shrink wrapped products
- Machine mounted jib crane to facilitate film loading
- Product turning conveyor to provide correct wrapping orientation
- Side product transfer to infeed for crowd feeding of product
- Lane divider for positive control of lane filling

SPECIFICATIONS

- Speed up to 65 packages per minute
- Electrical power requirements: 480 VAC, 3 Ph, 60 Hz
- Compressed air requirements: 80 psi, 30 SCFM at 50 cycles per minute
- Shipping weight: ~4,950 lbs w/conveyors

PRODUCT RANGE

- 6" to 18" W (across machine), 3" to 12" L (flow direction), 3" to 12" H

FILM

- Film width: 6" to 26"
- Film roll diameter: up to 20" with a 3" core
- Film gauge: 1.25 mil. to 2.5 mil.
- Film type: low density polyethylene
- Other film specifications: clear or print registered