

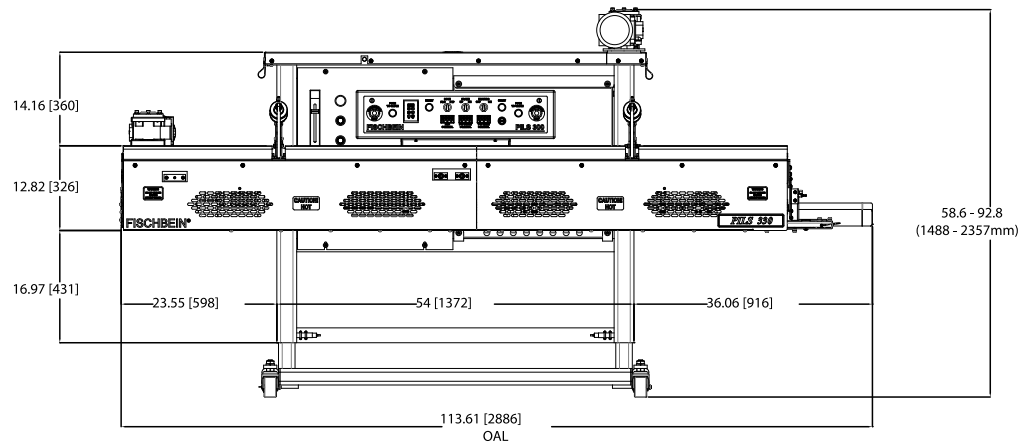
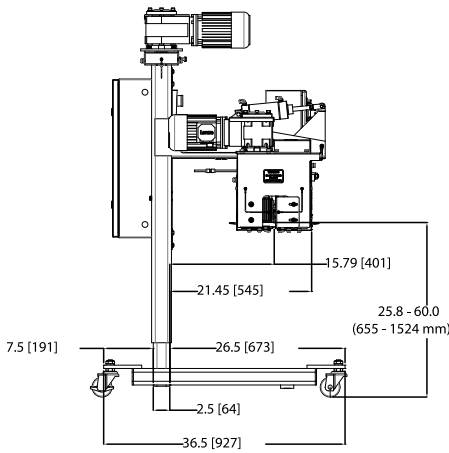
### Pinch Inner Liner Sealer

The Model PILS 300 Pinch Inner Liner Sealer features a continuous sealing process that sequentially seals the bag's inner liner and then folds and seals the top of the pre-glued pinch bag at speeds up to 75 linear feet per minute. The patented breakaway design eliminates costly downtime caused by bag jams while allowing easy cleaning and service of the hot air manifold and bag folder.



#### APPLICATIONS

- Bakery Mixes
- Fertilizers
- Minerals
- Agricultural Seed
- Pet Food
- Chemicals
- Feed Additives
- Cat Litter



PILS 300

## FEATURES

- **Bag Types:** Multi-wall paper, pillow-style cap-sac bags that have a preapplied hot-melt adhesive strip and a heat -seal able polyethylene liner. Can also be used to seal standard pinch bags with or without inner liners, that are closed with the PILS 300 or PBC 6000.
- **Breakaway Design Low Maintenance:** The patented breakaway design eliminates costly downtime caused by bag jams while allowing easy cleaning and service of the hot-air manifold and bag folder.
- **User Friendly Controls:** Safe and easy to use control panel with digital temperature display, key pad for variable speed control, and dual emergency stop buttons.
- **Standard:** Over-temperature sensor auto shutdown. Motorized adjustable seal height to reduce change-overtime. Bag top air scrubber removes product debris from seal area.

## OPTIONS

- Left to right operation
- Reverse fold - rear direction
- Extended infeed for automation applications
- Additional motor starter and contractor for conveyor
- CR Plus 2 part corrosion resistant powder coat finish
- Stainless steel NEMA 4 X wash-down version
- 575 VAC

## SPECIFICATIONS

- Dimensions: 123in(312.4 cm), D 37 in (94 cm), H 72in(183 cm)
- Speed: Up to 75 linear feet per minute
- Electric(NEMA 12): 230/330/460V-3PH-60Hz, 24 VAC
- Air: 10cfm @ 80-100 PSI

## BAGS

- **Bag Types:** Multi-wall paper gusseted open mouth pinch bags with heat sealable inner liner.
- **Gussets:** Any size including flat bags
- **Free Bag Top:** Minimum 6 in(15.2 cm)