

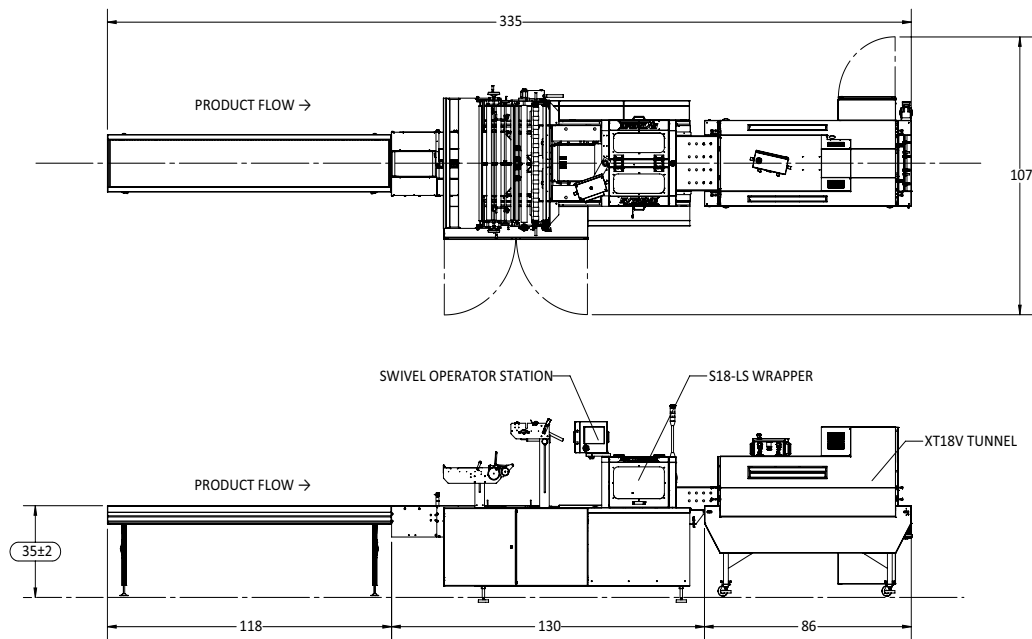
## Extreme Lap Seal Horizontal Wrapper

The Extreme Lap Seal Wrappers offer lower film consumption and zero waste. These highly efficient machines can be operated from the right and left-hand side via the user friendly, swivel color touch screen. The film cradle is easy to use because it can be loaded or threaded from either side of the wrapper. Film centering hand wheels are also conveniently located on both sides of the wrapper.



### APPLICATIONS

- Automotive
- Beverage
- Building Supplies
- Consumer Goods
- Contract Packaging
- Food
- Health & Beauty
- Material Handling
- Printing & Publishing



Final layout may vary, layout with tunnel shown.

## FEATURES

### Quality and Workmanship

- State of the art controls
- Heavy duty welded frame
- Double powder coat and stainless steel finish
- Oversized drives
- Top seal bars with multi-zone heater design

### Versatility

- Multiple frame and cross seal sizes with a wide range of plug and play infeed choices
- Large selection of options and accessories
- The top seal can run polyolefin, polyethylene and PVC films

### Low Maintenance

- Direct drive motors eliminate chains, sprockets, tensioners and the need for lubrication or any maintenance in those areas
- Self cleaning side seal element only touches the film, it does not use any back up wheels, rubber rollers or separate cutting devices that require maintenance or replacement
- Non stick ceramic teflon coated cross seal bars resist build up

### User Friendly

- Color touchscreen on swivel allows two sided operation
- Stores 16 package set-ups and includes self-diagnostics and troubleshooting guide
- Tool-less changeover
- Large gull wing doors allow easy access to major machine assemblies for periodic cleaning and inspection

### Efficiency

- Efficient film usage due to the direct film delivery path and scrap-less overlap seal technology
- Dancer bar film delivery and vacuum belt transport provides precise tension control to maximize overlap integrity
- Digitally controlled bag length produces consistent packages for optimum display of your product
- Step by step programming and large library recipe storage yields maximum up time during product changeover
- Available dual roll cradle

## SPECIFICATIONS

- Up to 120 packages per minute
- Film speed: 150FPM
- Lay flat film cradle with hand wheel centering and flip away guides
- Film loading, adjustments and operation from either side
- Cross seal type: 4 variations with multi-zone heaters
- Film types: Polyolefin, LDPE, PVC
- Operator controls: color touchscreen on swivel
- Cross seal dimensions: 20" W x 8.5" H
- Maximum package dimensions: infinite L x 18" W x 8" H
- Film width: 44" flat film
- Tunnel match: High Performance XT Tunnel
- Electrical requirements: 208/240 VAC, 50 Amps Peak, 3 PH
- Air requirements: .5 CFM